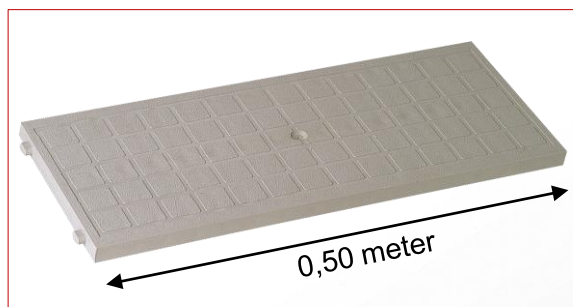
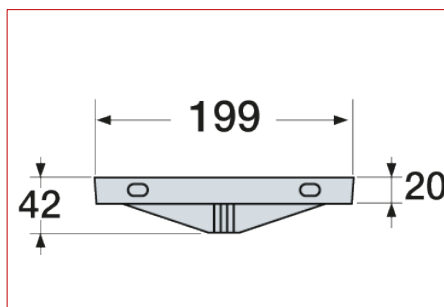




Connecto® I Reinforced PVC cover – light grey colour - class B125

Code : TR88



■ FUNCTION :

The cover is designed to close the channel. In accordance with EN1433 standard and the marking **CE**, it can be used in footways, pedestrian areas, private car parks or car parking decks in class **B125**.

■ DESCRIPTION :

This reinforced cover class B125 is injected in light grey PVC with anti-UV treatment.

■ ACCESSORIES :

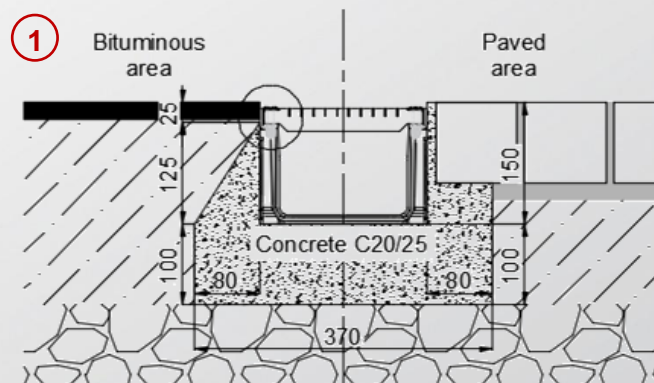
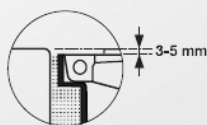
This reinforced cover can be installed with one type of drainage channel :

- Channel body Connecto length 1m width 200 in PP with PP edges – light grey : CAN188



■ CHARACTERISTICS :

Resistance class: B125
 Width: 199 mm
 Length: 500 mm
 Overall height: 42 mm
 Grating type: PVC
 Weight: 2.2 kg



■ IMPLEMENTATION :

1. See the installation scheme opposite with the channel CAN188.
2. If you don't use Connecto channel, please leave a space between gratings to allow a free expansion.

■ QUALITY - ENVIRONMENT :



DATE : July 2015