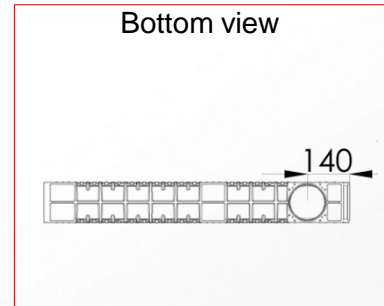
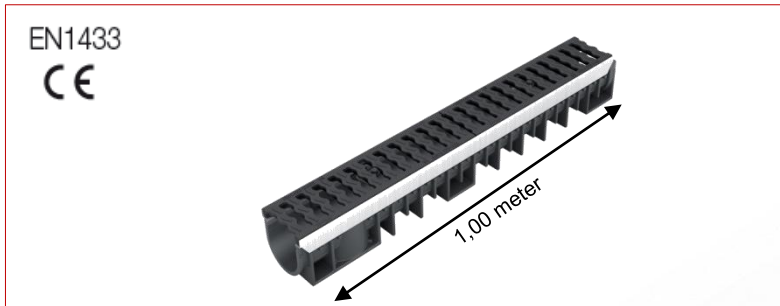
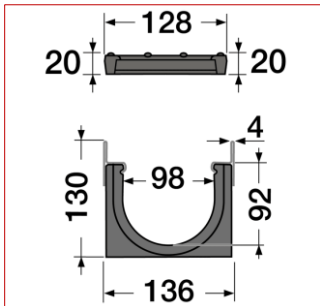
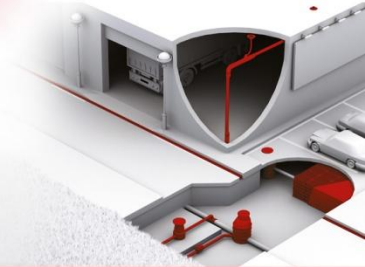


Kenadrain I Channel width 100 depth 1 with cast iron gratings class D400

Code : DR101DF



FUNCTION :

This product permits to drain run-off water with gratings of length 1000 mm, of class D400 complying with the standard NF-EN 1433, holding the **CE** marking, assembled via a male/female connection system with locking

DESCRIPTION :

It is comprised of:

- a injected recycled polypropylene black body
- two galvanized steel edges.
- two black cast iron gratings class D400
- two locking systems with galvanized metal bar

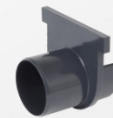
ACCESSORIES :

The connection to the sewage can be achieved through the following PVC fittings:

- End cap & inlet-outlet cap 75 – NPDR101
- Vertical outlet Ø100, 110 or 125 – STDR10, SVDR10 or SXDR10
- Sump units Ø100 or 125 – PS100V or PS100X



STDR10
SVDR10
SXDR10



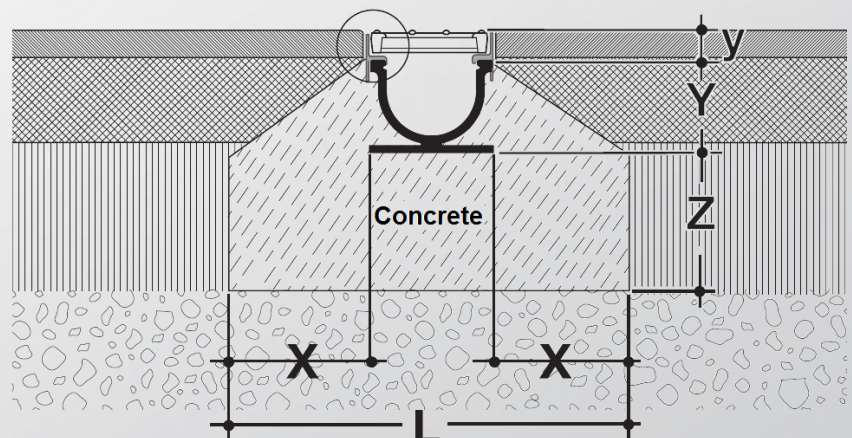
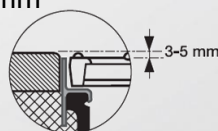
NPDR101



PS100V
PS100X

CHARACTERISTICS :

- Resistance class: D400
- Effective width: 98 mm
- Effective depth: 92 mm
- Grating type: Cast iron
- Drainage surface: 392 cm²/ml
- Hydraulic section: 83 cm²
- Opening dimensions: 18 / 96 mm
- Weight: 15.9 Kg



IMPLEMENTATION:

- X = 200 mm; L = 540 mm
- Z = 200 mm; Y = 100 mm; y = 35 mm

QUALITY - ENVIRONMENT :

ISO 9001
ISO 14001
BUREAU VERITAS
Certification



DATE : May 2014